

ORDERING INFORMATION

CODE	DESCRIPTION	PRODUCT NUMBER	LED WATTAGE	CARTON QTY.	WEIGHT (NET/ GROSS)
I1054	Twinspot Lite Emergency IP65 Luminaire	9336462 I10546	2.7 W	4	2.05 Kg / - Kg

OPERATIONAL INFORMATION

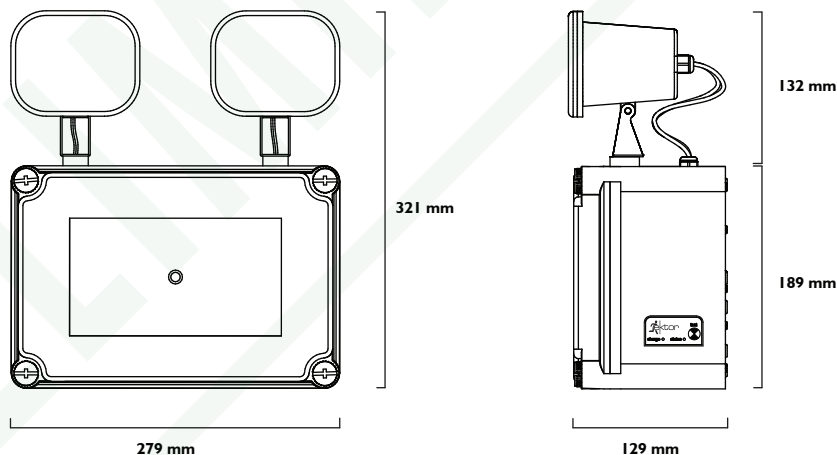
GENERAL				BATTERY	
Voltage	~230 V	Mounting Type	Wall mounted	Battery Type	LiFePO4 6.4 V
Frequency	50 Hz	Wiring	Terminal Block (1 - 16 mm □)	Battery Supply Current	600 mA
Max. Ambient Temp.	0 - 40°C	Lumens	2 x 140lm	Battery Code	I302
Class	I			Charging Time	16 Hours
Duration	90 / 120 min			Charger Operation	Variable
IP Rating	IP65				

TOTAL POWER CONSUMPTION (TPC)

MODEL	MAINTAINED		NON - MAINTAINED	
	Max.	Avg.	Max.	Avg.
Twinspot Lite Emergency IP65 Luminaire (I1054)	-	-	2.5 W	0.45 W

CONSTRUCTION AND DIMENSIONS

BODY	PC
DIFFUSER	PC
GEAR TRAY	Galvanized steel

TWINSLOT LITE EMERGENCY IP65


NOTE: For more information on the chemical resistance of our polycarbonate, please see the technical downloads page at ektor.com.au

ACCESSORIES AND SPARE PARTS

CODE	DESCRIPTION
01302	Battery 1500mAH 2 Cell LiFePO4

Datasheet is subject to change without notice

 Last updated: **28.November 2016_V1.3**